



Pole Ideal Pars Co.  
www.medpip.com

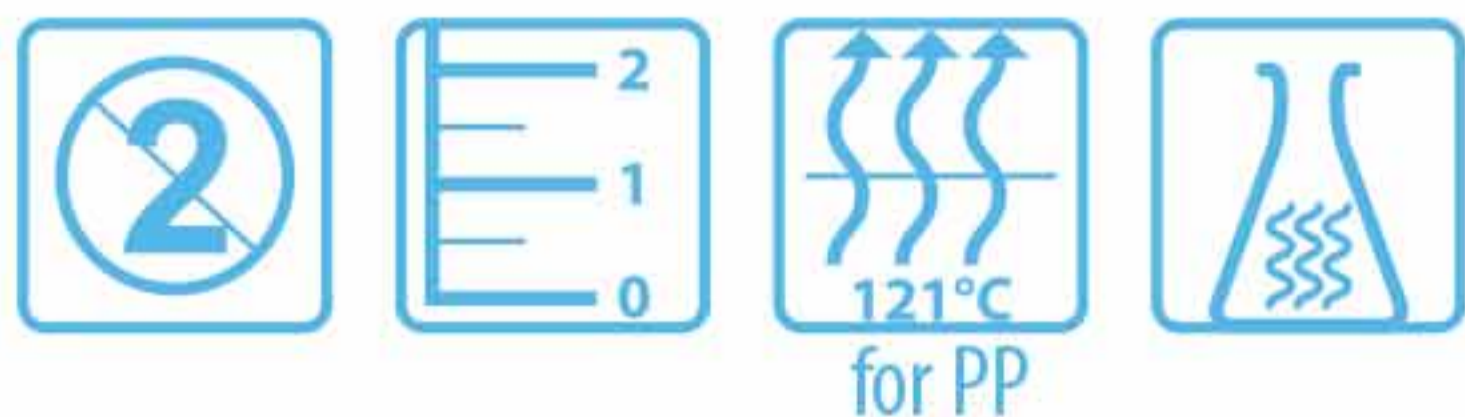
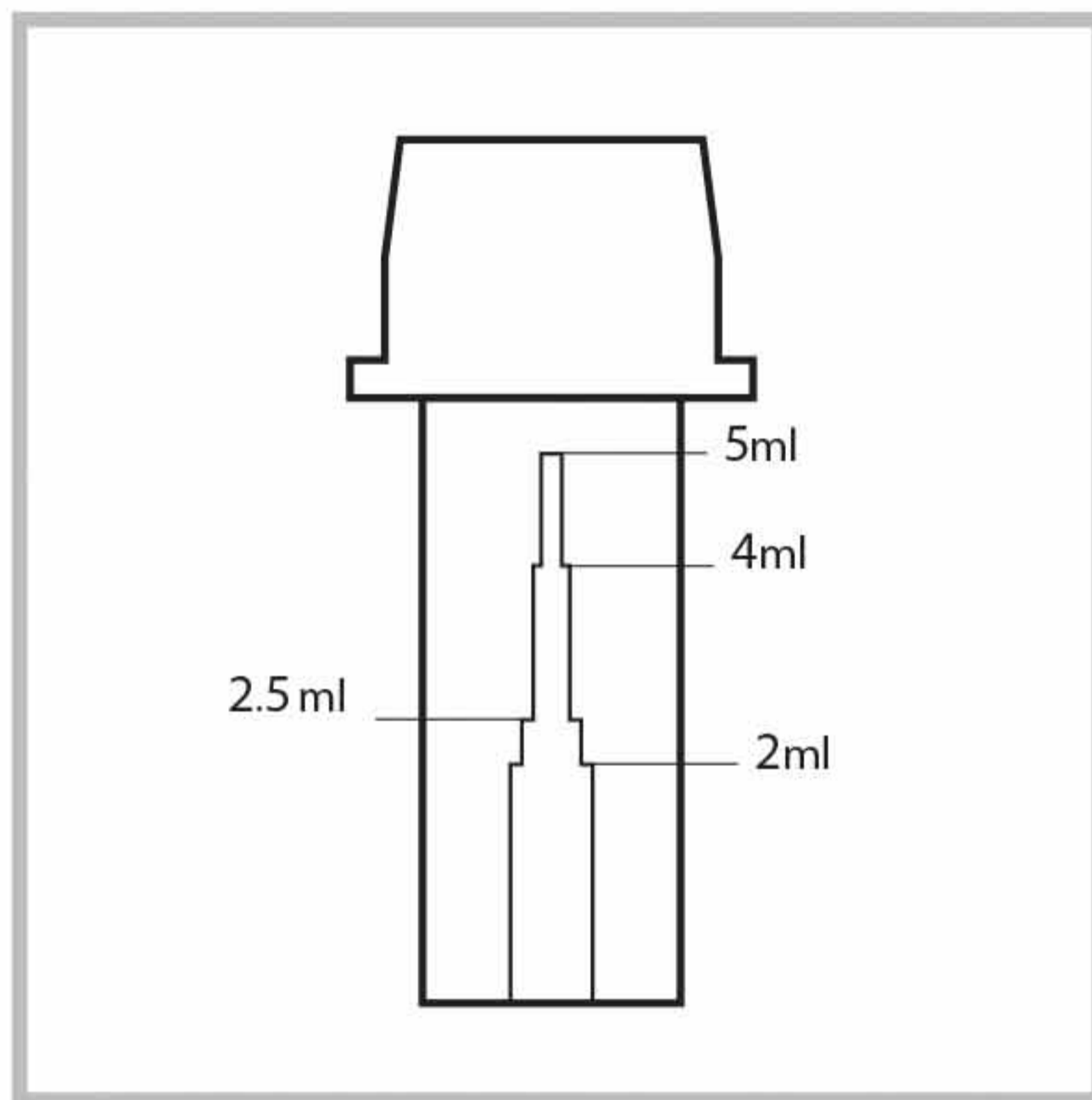


## CBC Tubes

Storing laboratory samples with volume measurement

P.I.P. CBC Tubes are disposable and anticoagulant free. These tubes are in two models, made from polystyrene and polypropylene with two types of caps (snap cap made from polyethylene and push cap

made from polypropylene). As displayed schematically, P.I.P. CBC tube is graduated. In addition, bottom of these tubes are flat that makes them stable upright.



GS1 Code	Model	Dimensions	Capacity	Qty./pack
6260807502112	PP	Opening's Outer diameter: $\phi$ 16.2 mm Height: 54 mm	5 ml	200
6260807502129	PS	Opening's Outer diameter: $\phi$ 16.2 mm Height: 54 mm	5 ml	200

\* For more information on the chemical resistance of polystyrene (PS), refer to our website at [www.medpip.com](http://www.medpip.com).

1<sup>st</sup> floor, No.12, Naghdi St., Jahantab St., Motahari Ave, Tehran, Iran

FAX:+98 21 88765561/+98 21 88767159 Tel: 88765847 - 88765915 - 88545922-9

Postal code:1576635714 P.O. Box:15875-9483

@poleideal

@poleideal

+98 912 334 0197

Pole Ideal Pars Co.